

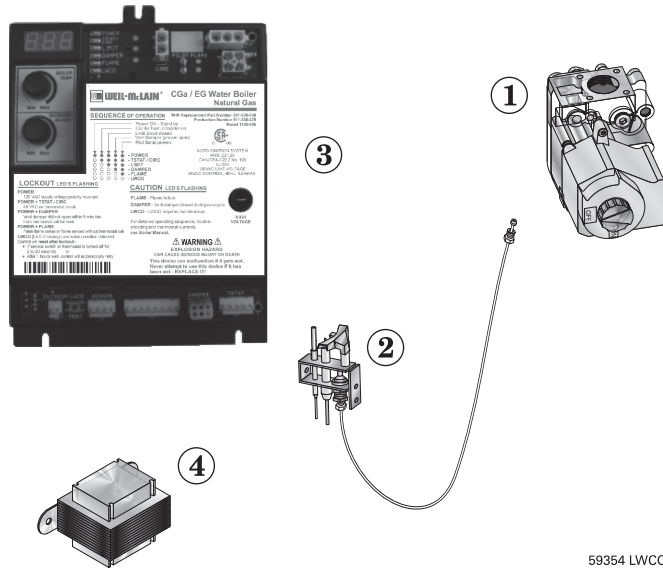
## CGa - Series 3 Base Assembly Parts

Fig. No.	Part No.	Description	Boiler Size
N/S	381-354-362	Base Assembly Kit - (Includes Base Panel Items 1, 2, 3, 4, 5, 6, and 7 - Plus Insulation, Air Box Gaskets, and Hardware)	25
	381-354-356		3
	381-354-357		4
	381-354-358		5
	381-354-359		6
	381-354-360		7
	381-354-361		8
1		Base Side Panel - (In Base Assembly Kit)	
2		Base Front Cross Tie - (In Base Assembly Kit)	
3		Base Back Cross Tie - (In Base Assembly Kit)	
4		Access Panel - (In Base Assembly Kit)	
5		Base Pan Side Angle, Left Side - (In Base Assembly Kit)	
6		Base Pan Side Angle, Right Side - (In Base Assembly Kit)	
7		Base Pan - (In Base Assembly Kit)	
8	450-003-742	Burner Rest	25
	450-003-736		3
	450-003-737		4
	450-003-738		5
	450-003-739		6
	450-003-740		7
	450-003-741		8
9	381-354-518	Base Insulation Kit - (Includes Insulation For All Base Parts Above, Plus Gasket Material Needed Between Block Assembly and Base)	25-5
	381-354-519		6-8
10	590-424-253	Boiler Leg Kit	All
11	591-126-615	Manifold	25
	591-126-616		3
	591-126-617		4
	591-126-618		5
	591-126-619		6
	591-126-556		7
	591-126-557		8
12	560-528-997		All
	560-528-998		All
13	512-200-077	Burner - Stainless Steel	All
14	512-200-078	Burner with Pilot bracket	All
15	Available Locally	Screw, 10-32 X 0.38 STP Type D Hex, Washer Head Slot	All
16	512-050-230		All

GAS

# CGa - Series 3 Control Parts

## Spark-ignited pilot controls



59354 LWCO

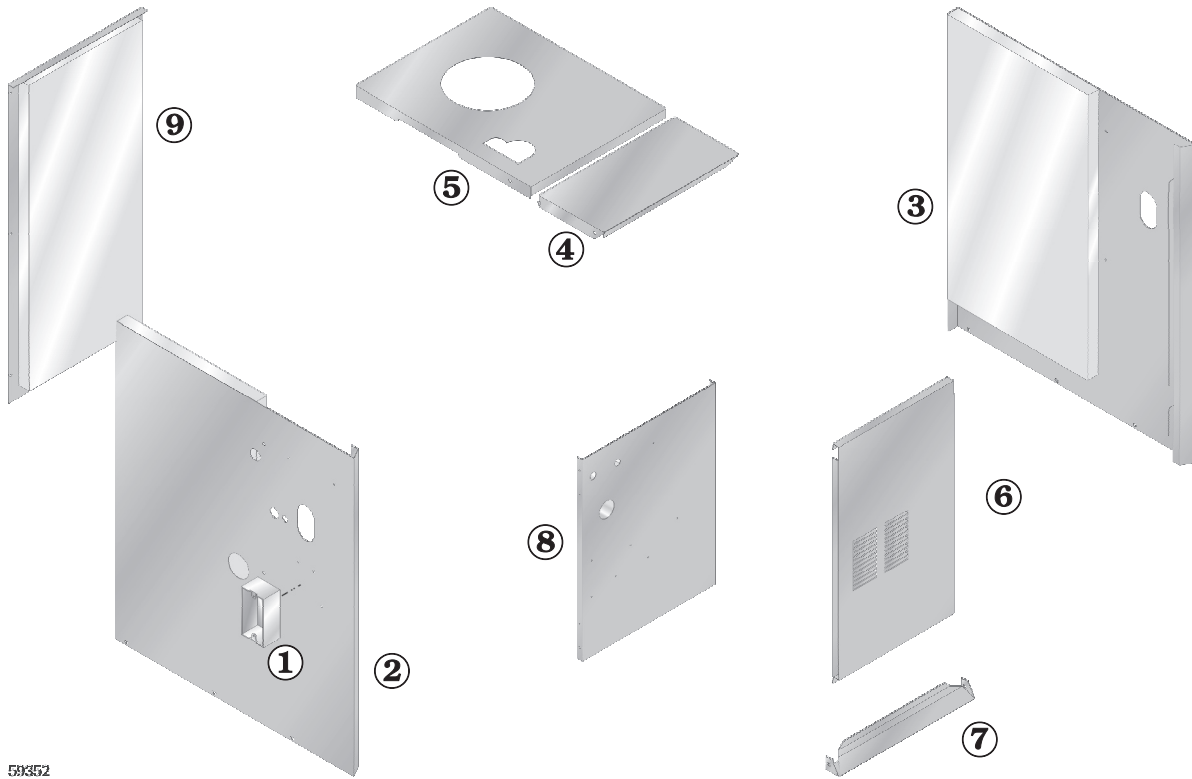
Fig. No.	Part No.	Description	Boiler Size
<b>Spark Ignition Components For Natural Gas</b>			
1	511-044-381		25-6
	511-044-382		7, 8
2	511-330-218		All
3	381-330-039	Control Module - Natural Gas	
<b>Spark Ignition Components For Propane Gas</b>			
1	511-044-356		25-7
	511-044-366		8
2	511-330-273		All
3	381-330-038	Control Module- Propane Gas	All

GAS

CGa - Series 3  
Control Parts Cont.

Fig. No.	Part No.	Description	Boiler Size
<b>Common Components For Both Natural and Propane Gas</b>			
N/S	591-391-995	Wire Harness, WaterTemperature/ LWCO Sensor	All
	591-391-975	Wire Harness, Power, J Box To Module	All
	591-392-006	Wire Harness - Thermostat	All
	591-391-977	Wire Harness, Controls To Module	All
4	381-356-578	Control Transformer, 24 Volt, 40 VA	All
<b>Gas Conversion Kits</b>			
N/S	510-811-946	Bracket, Temperature Sensor Wire Harness, Pilot Assembly With Tubing,	25-7
	510-811-947	Bracket, Temperature Sensor Wire Harness, Pilot Assembly With Tubing, Module -1135-606, Hardware, Labels, and Instructions)	8
	510-811-948	Bracket, Temperature Sensor Wire Harness, Pilot Assembly With Tubing, Module -1135-605, Hardware, Labels, and Instructions)	25-6
	510-811-949	Bracket, Temperature Sensor Wire Harness, Pilot Assembly With Tubing, Module -1135-605, Hardware, Labels, and Instructions)	7-8
<b>Control Kits</b>			
N/S	381-356-586	Outdoor Temperature Sensor Kit - (Includes Sensor, Wire Harness, and Instructions)	All
	381-356-585	Zone Interface Harness Kit - (Includes Wire Harness, Cable Clamp, and Instructions)	All
	383-500-125		

## CGa - Series 3 Jacket Assembly Parts



59X352

Fig. No.	Part No.	Description	Boiler Model
1	Available Locally		All
2	381-359-201	Jacket Panel, Left Side, With Insulation (Natural Gas - Spark Ignition)	CGa-25
	381-359-202		CGa-3
	381-359-203		CGa-4
	381-359-204		CGa-5
	381-359-205		CGa-6
	381-359-206		CGa-7
	381-359-207		CGa-8
	381-359-208		CGa-25
	381-359-209		CGa-3
	381-359-210		CGa-4
	381-359-211		CGa-5
	381-359-212		CGa-6
	381-359-213		CGa-7
	381-359-214		CGa-8
3	381-359-229	Jacket Panel, Right Side, With Insulation	All